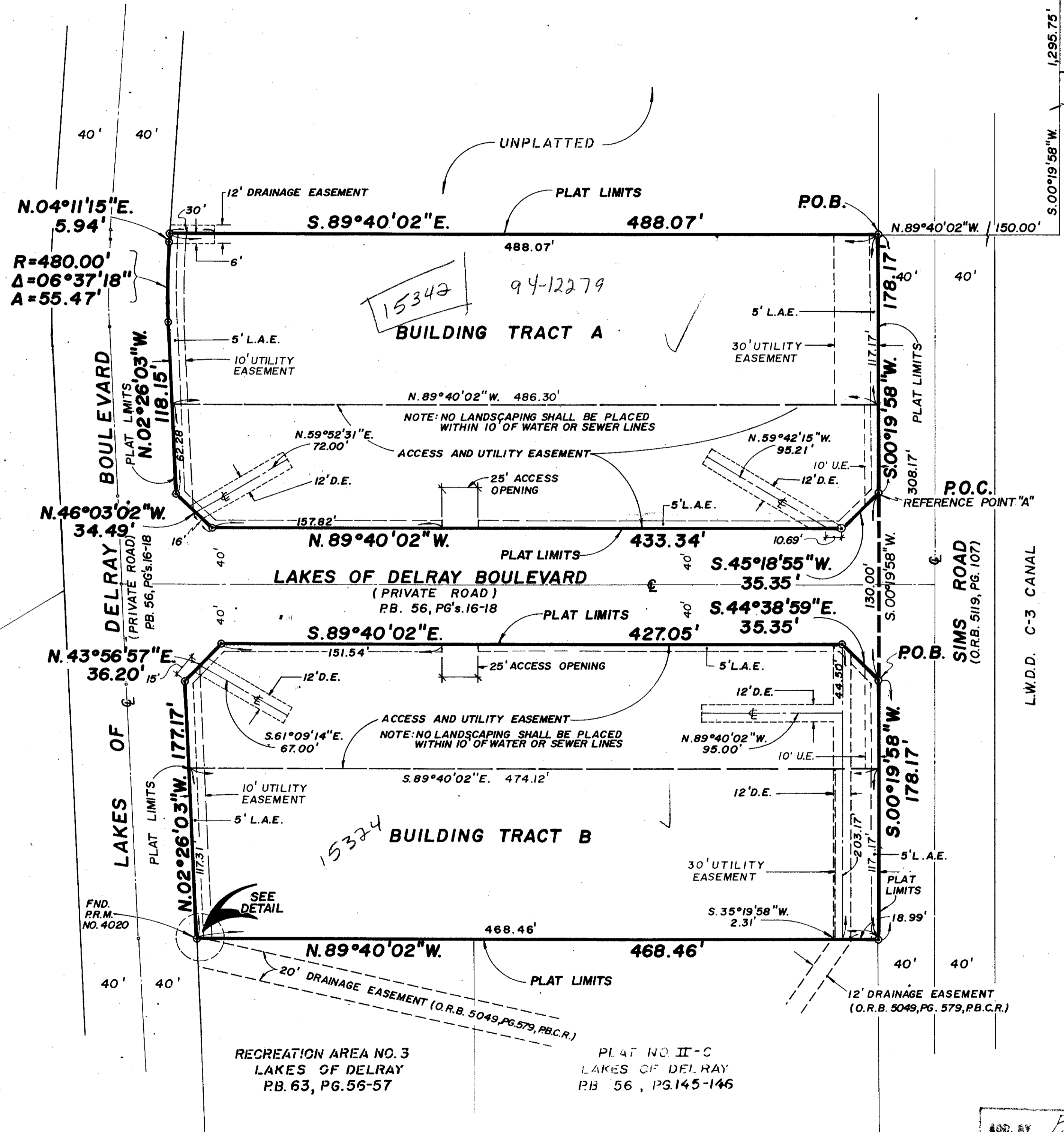
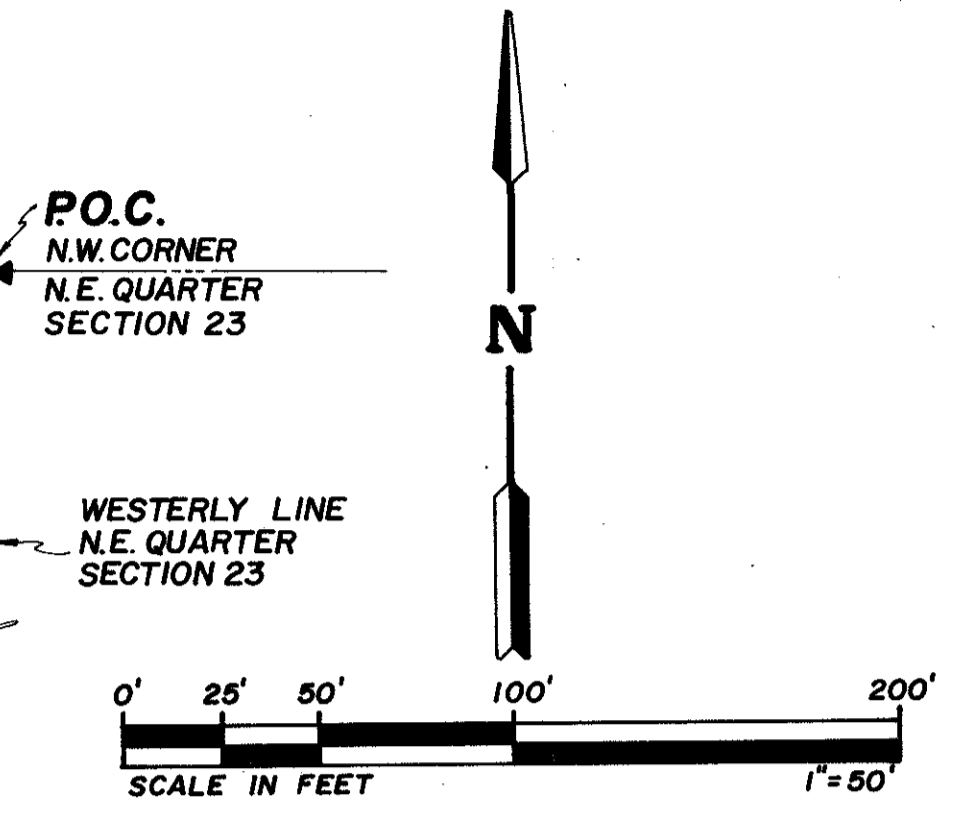
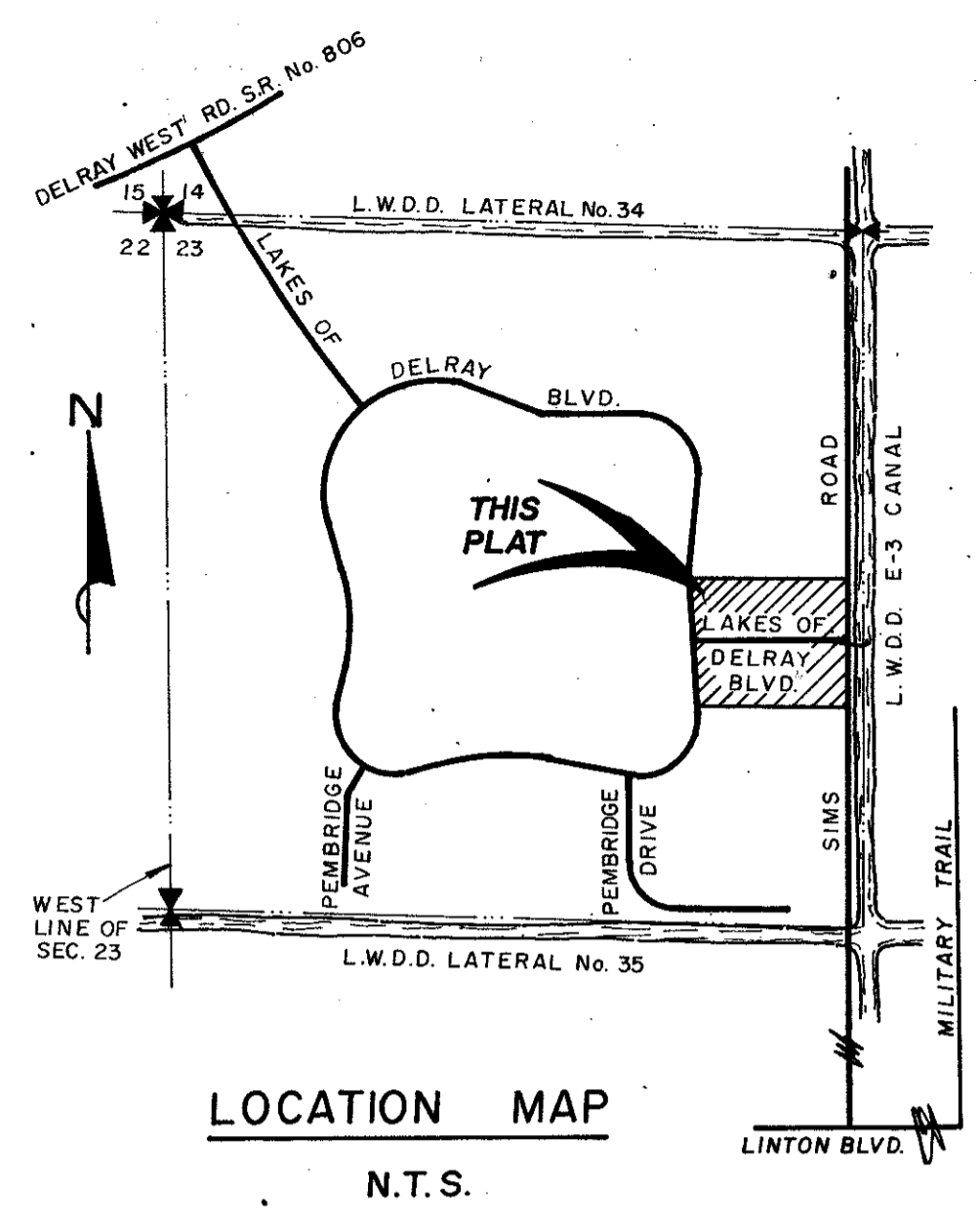


PLAT NO. VIII-B LAKES OF DELRAY

BEING A PORTION OF THE NORTHWEST ONE - QUARTER
OF SECTION 23, TOWNSHIP 46 SOUTH, RANGE 42 EAST
PALM BEACH COUNTY, FLORIDA.

THIS INSTRUMENT PREPARED BY
LARRY BIRMINGHAM OF
DANIEL CARNAHAN
CONSULTING ENGINEERS, INC.
6191 W. ATLANTIC BLVD. MARGATE, FLA.
MAR. 1988 8706009F 33063 S.W.

STATE OF FLORIDA } s.s.
COUNTY OF PALM BEACH }
THIS PLAT WAS FILED FOR
RECORD AT _____, THIS
DAY OF _____, 1989, A.D.,
AND DULY RECORDED IN PLAT BOOK
No. _____ ON PAGES
AND
JOHN B. DUNKLE, CLERK
BY _____, D.C.



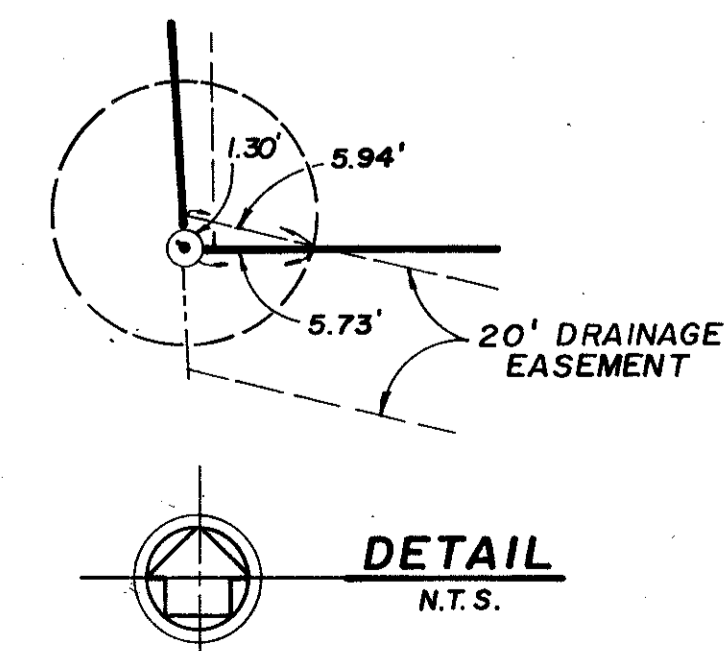
NOTES

1. ALL PERMANENT REFERENCE MONUMENTS (P.R.M.'s) BEAR THE REGISTRATION NUMBER 4020 AND ARE SHOWN THUS: (C)
2. THE BEARINGS SHOWN HEREON ARE BASED ON THE EAST LINE NORTHWEST 1/4 OF SECTION 23 BEING SOUTH 00°19'58" WEST, ACCORDING TO THE SAME MERIDIAN AS SHOWN ON THE PLAT OF "LAKES OF DELRAY-PLAT NO. ONE" AS RECORDED IN PLAT BOOK 42, PG. 46 AND 47, PUBLIC RECORDS OF PALM BEACH COUNTY, FLORIDA.
3. BUILDING SETBACK LINES SHALL BE AS REQUIRED BY PALM BEACH COUNTY ZONING REGULATIONS.
4. THERE SHALL BE NO BUILDINGS OR ANY KIND OF CONSTRUCTION PLACED ON UTILITY OR DRAINAGE EASEMENTS. CONSTRUCTION OR LANDSCAPING ON MAINTENANCE OR MAINTENANCE ACCESS EASEMENTS MUST BE IN CONFORMANCE WITH ORDINANCES OF PALM BEACH COUNTY.
5. THERE SHALL BE NO TREES OR SHRUBS PLACED ON UTILITY EASEMENTS WHICH ARE PROVIDED FOR WATER AND SEWER USE OR UPON DRAINAGE EASEMENTS.
6. LANDSCAPING ON OTHER UTILITY EASEMENTS SHALL BE ALLOWED ONLY AFTER CONSENT OF ALL UTILITY COMPANIES OCCUPYING SAME.
7. IN THOSE CASES WHERE EASEMENTS OF DIFFERENT TYPES CROSS, DRAINAGE EASEMENTS SHALL HAVE FIRST PRIORITY, UTILITY EASEMENTS SHALL HAVE SECOND PRIORITY, ACCESS EASEMENTS SHALL HAVE THIRD PRIORITY, AND ALL OTHER EASEMENTS SHALL BE SUBORDINATE TO THESE WITH THEIR PRIORITIES BEING DETERMINED BY THE USE RIGHTS GRANTED.
8. D.E. INDICATES DRAINAGE EASEMENT
9. U.E. INDICATES UTILITY EASEMENT
10. L.A.E. INDICATES LIMITED ACCESS EASEMENT
11. ALL DRAINAGE EASEMENTS ARE 12' WIDE UNLESS OTHERWISE NOTED.
12. NOTICE: THERE MAY BE ADDITIONAL RESTRICTIONS THAT ARE NOT RECORDED ON THIS PLAT, THAT MAY BE FOUND IN THE PUBLIC RECORDS OF THIS COUNTY.

PLAT NO VII-A
LAKES OF DELRAY
P.B. 60 PG. 95 & 96

RECREATION AREA NO. 3
LAKES OF DELRAY
P.B. 63, PG. 56-57

PLAT NO II-C
LAKES OF DELRAY
P.B. 56, PG. 145-146



ADD. BY BT
CHECKED BY [Signature]

0267-013

PLAT No. VIII-B, LAKES OF DELRAY 65/57

SUBMISSION OF PLAT NO. VIII-B, LAKES OF DELRAY
65 57
B
37
RM
33445